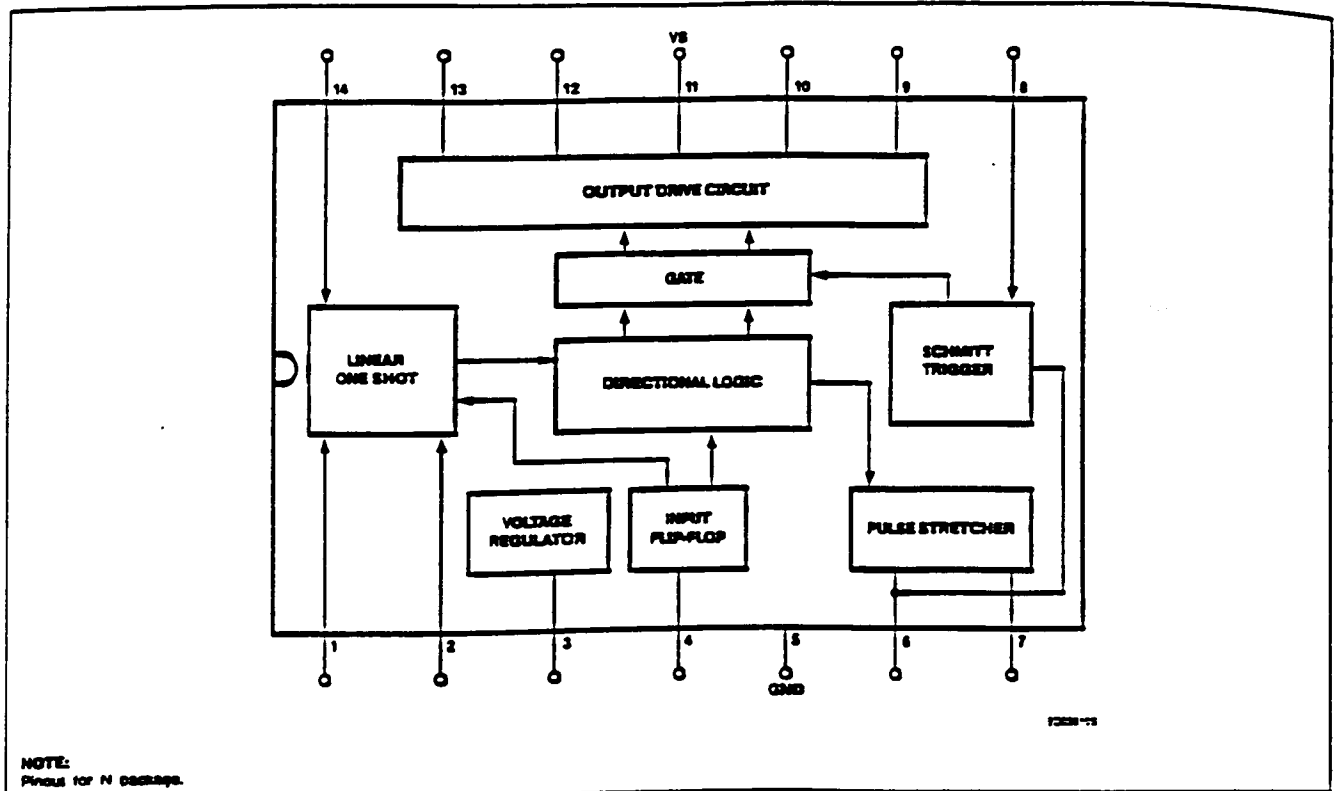


## Servo Amplifier

NE544

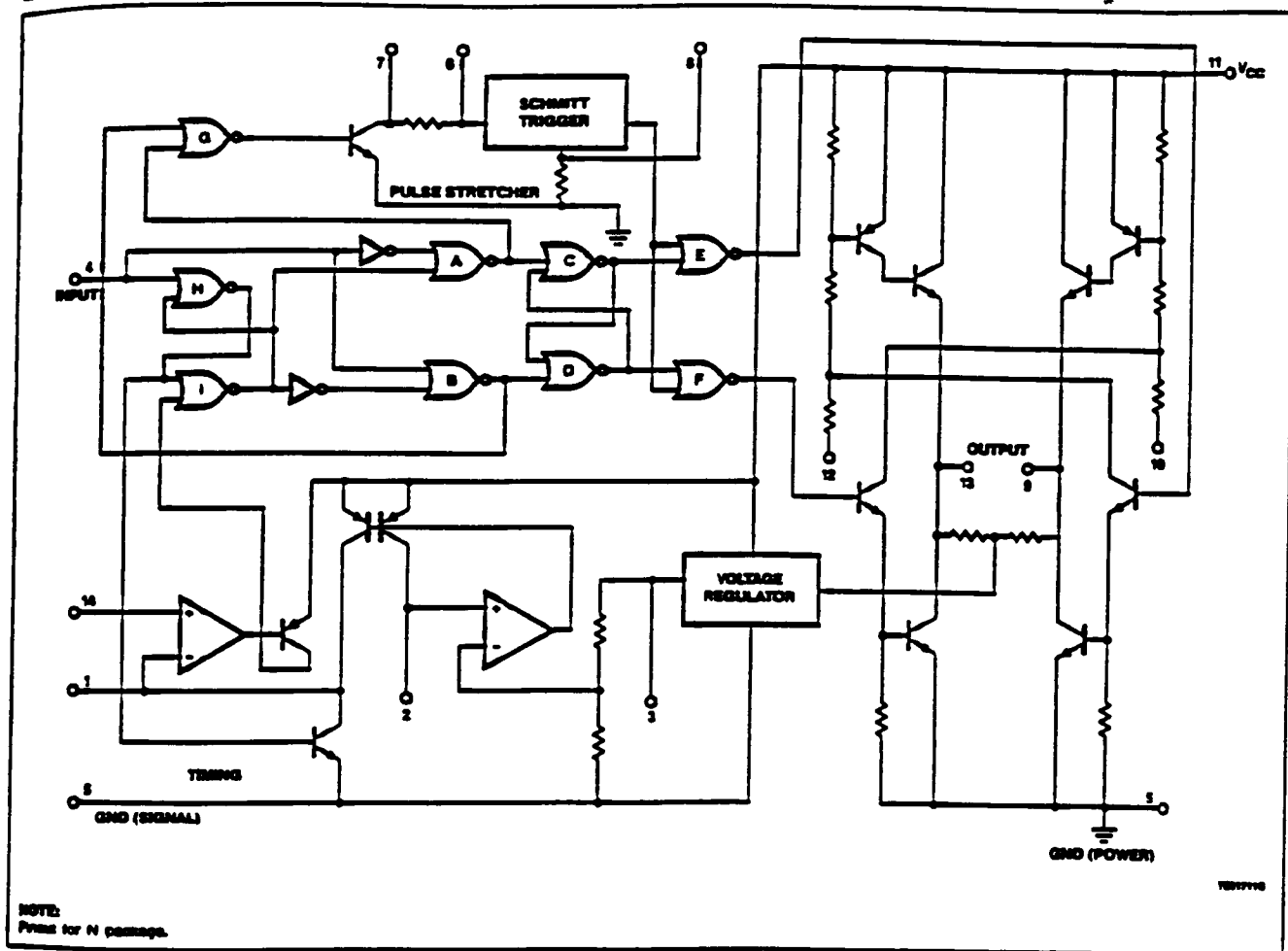
### BLOCK DIAGRAM



## Servo Amplifier

NE544

### EQUIVALENT SCHEMATIC



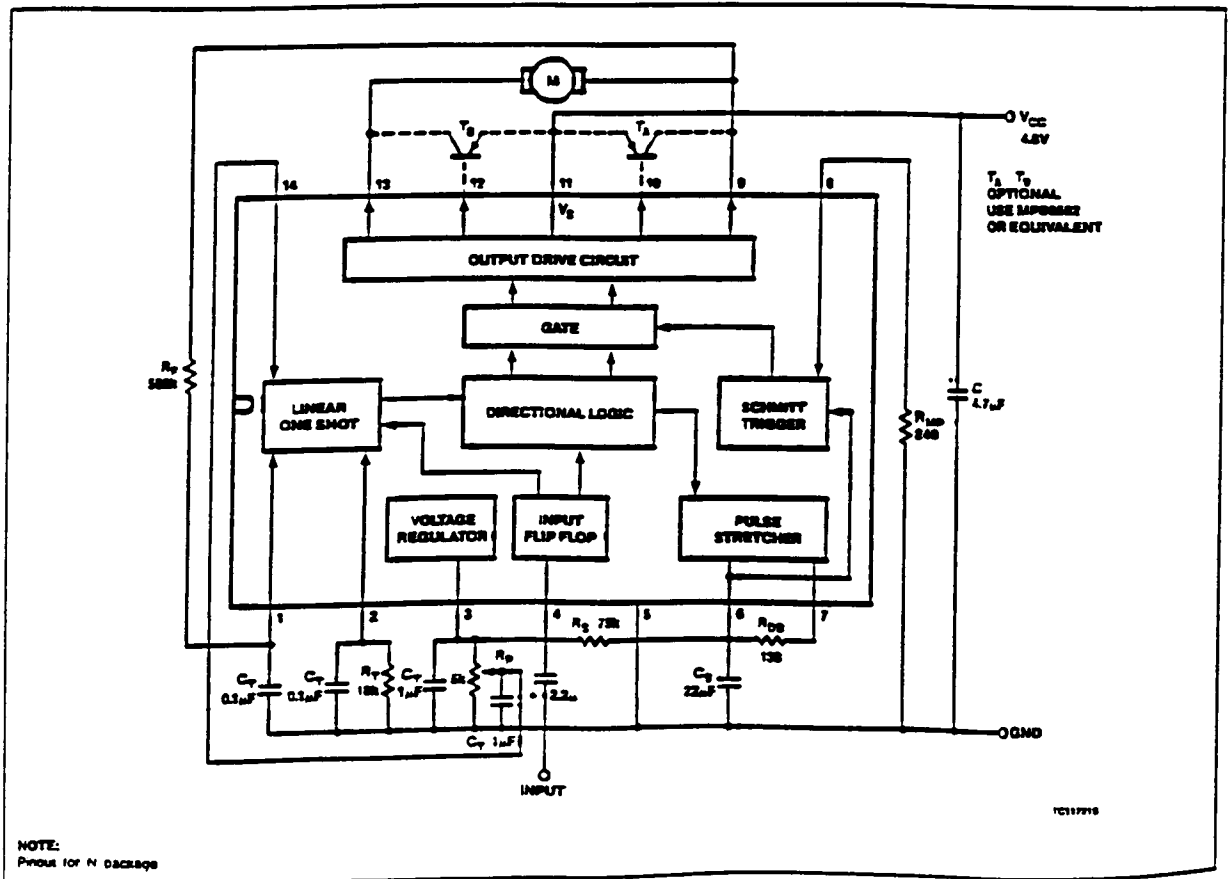
## Servo Amplifier

NE544

DC ELECTRICAL CHARACTERISTICS  $T_A = 25^\circ\text{C}$ ,  $V_S = 4.8\text{V}$  unless otherwise specified.

SYMBOL	PARAMETER	TEST CONDITIONS	LIMITS			UNIT
			MIN	TYP	MAX	
$V_{CC}$	Supply voltage	Quiescent	3.2	4.8	6	V
$I_{CC}$	Supply current, Pin 11		4.2	5.5	10	mA
$V_{TH}$	Input threshold, Pin 4			1.5		V
	On			1.4		
$Z_{IN}$	Input resistance, Pin 4			18		k $\Omega$
$V_{OL}$	Output voltage	Pin 9 or 13, $I_L = 400\text{mA}$		0.3		V
$V_{OH}$	Low				3.9	
$V_{REG}$	Regulated voltage, Pin 3		2.1	2.5	2.9	V
$\Delta V_{REG}$	Regulation, Pin 3	$3.9\text{V} < V_{CC} < 6\text{V}$ $R_{DS} = 0$		10		mV/V
	Minimum deadband, Pin 7			1		$\mu\text{s}$
	One-shot temperature coefficient			0.01		%/°C
	Standby output voltage	Pins 9 and 13		2.5		V
	PNP drive current	Pins 10 and 12		20		mA

### TYPICAL CONNECTION OF NE544N FOR LINEAR ONE-SHOT TIMING



# ISI IDEAL SEMICONDUCTOR INC.

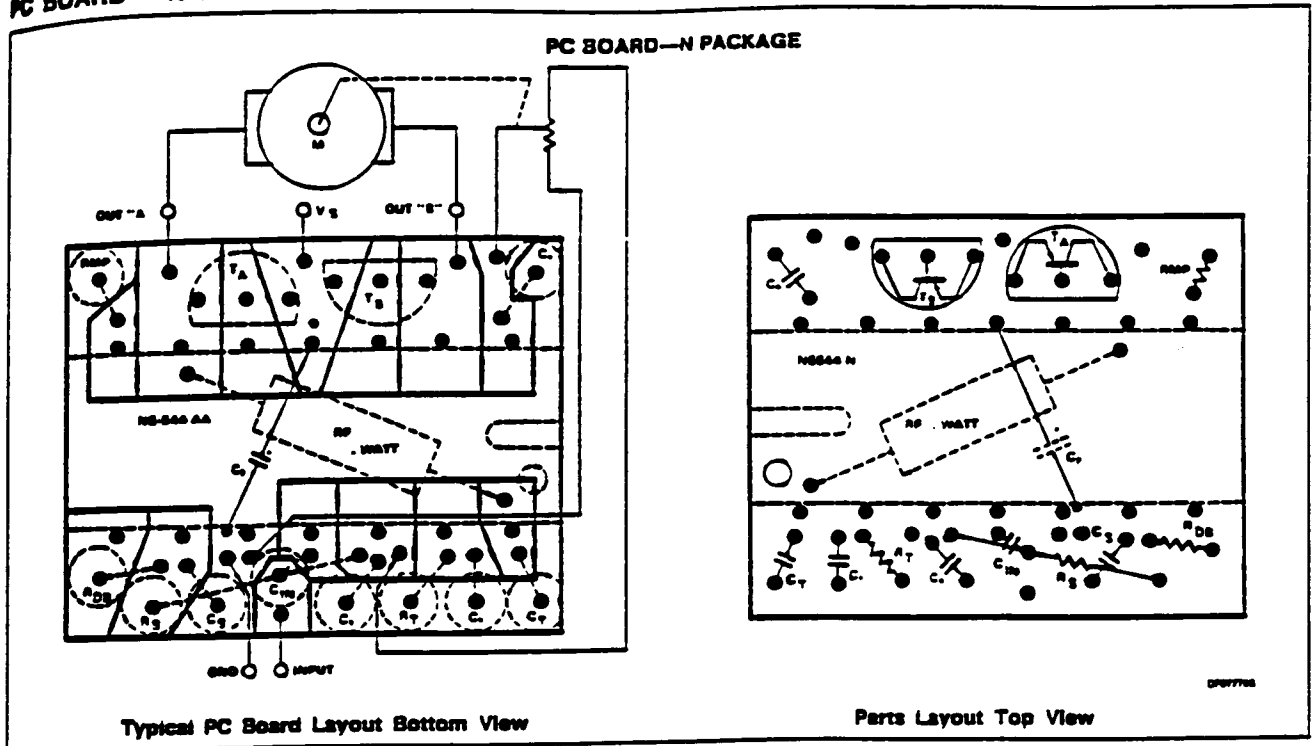
"Your Best Defense Against Obsolescence"

Product Specification

Servo Amplifier

NE544

## PC BOARD — N PACKAGE



# ISI IDEAL SEMICONDUCTOR INC.

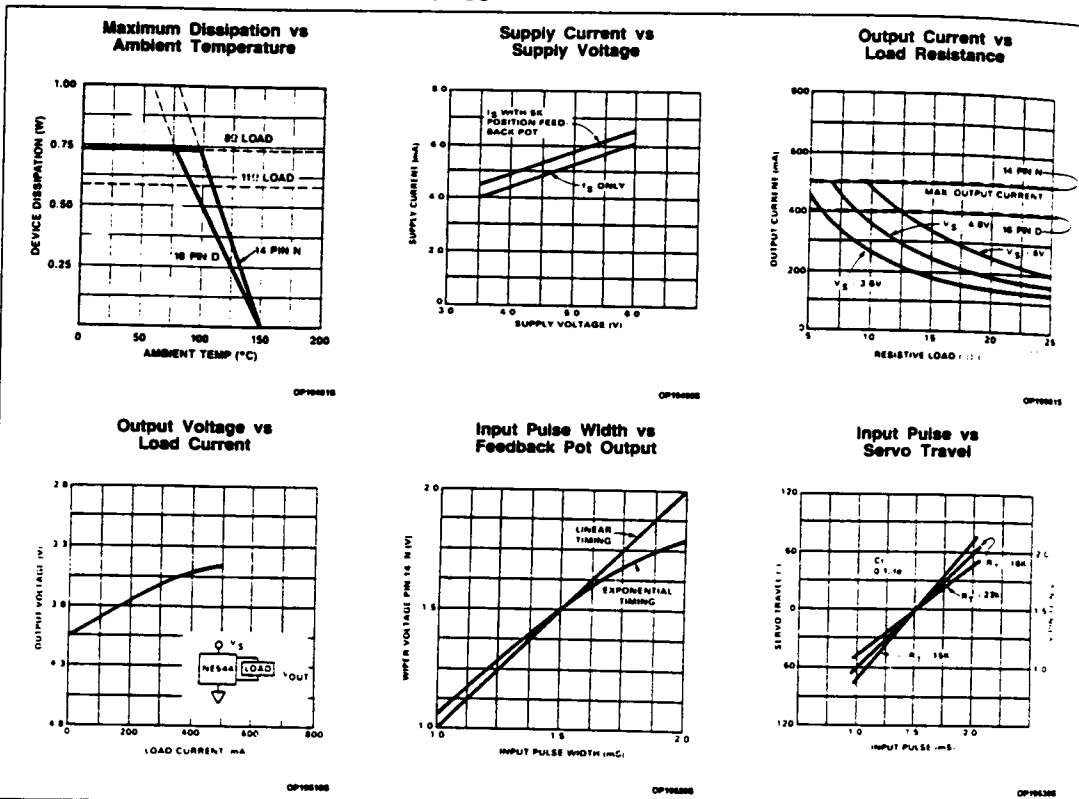
"Your Best Defense Against Obsolescence"

Product Specification

## Servo Amplifier

NE544

### TYPICAL PERFORMANCE CHARACTERISTICS



Copyright © Each Manufacturing Company.

All Datasheets cannot be modified without permission.

This datasheet has been download from :

[www.AllDataSheet.com](http://www.AllDataSheet.com)

100% Free DataSheet Search Site.

Free Download.

No Register.

Fast Search System.

[www.AllDataSheet.com](http://www.AllDataSheet.com)